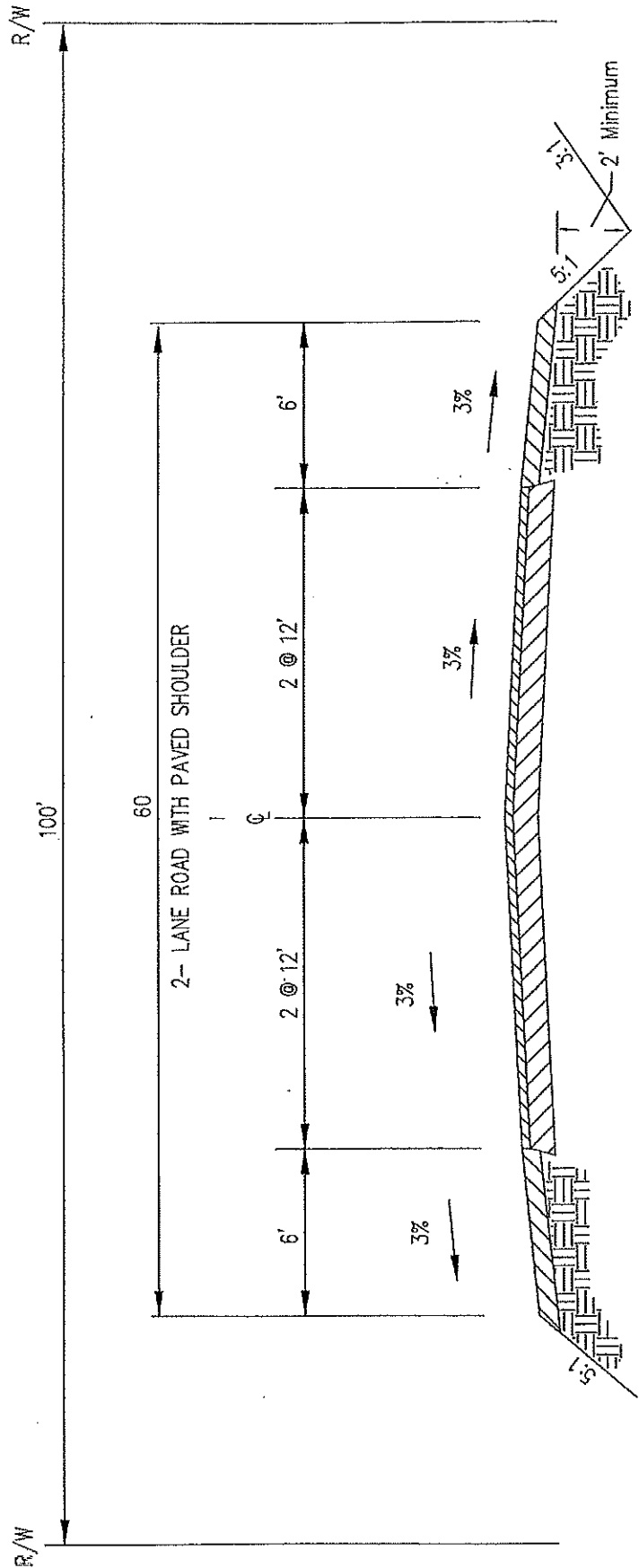


PAVEMENT/SHOULDER THICKNESS

- Full Depth Asphalt
- 2" Surface
- 10" Base
- Full Depth Concrete
- 8" PCC

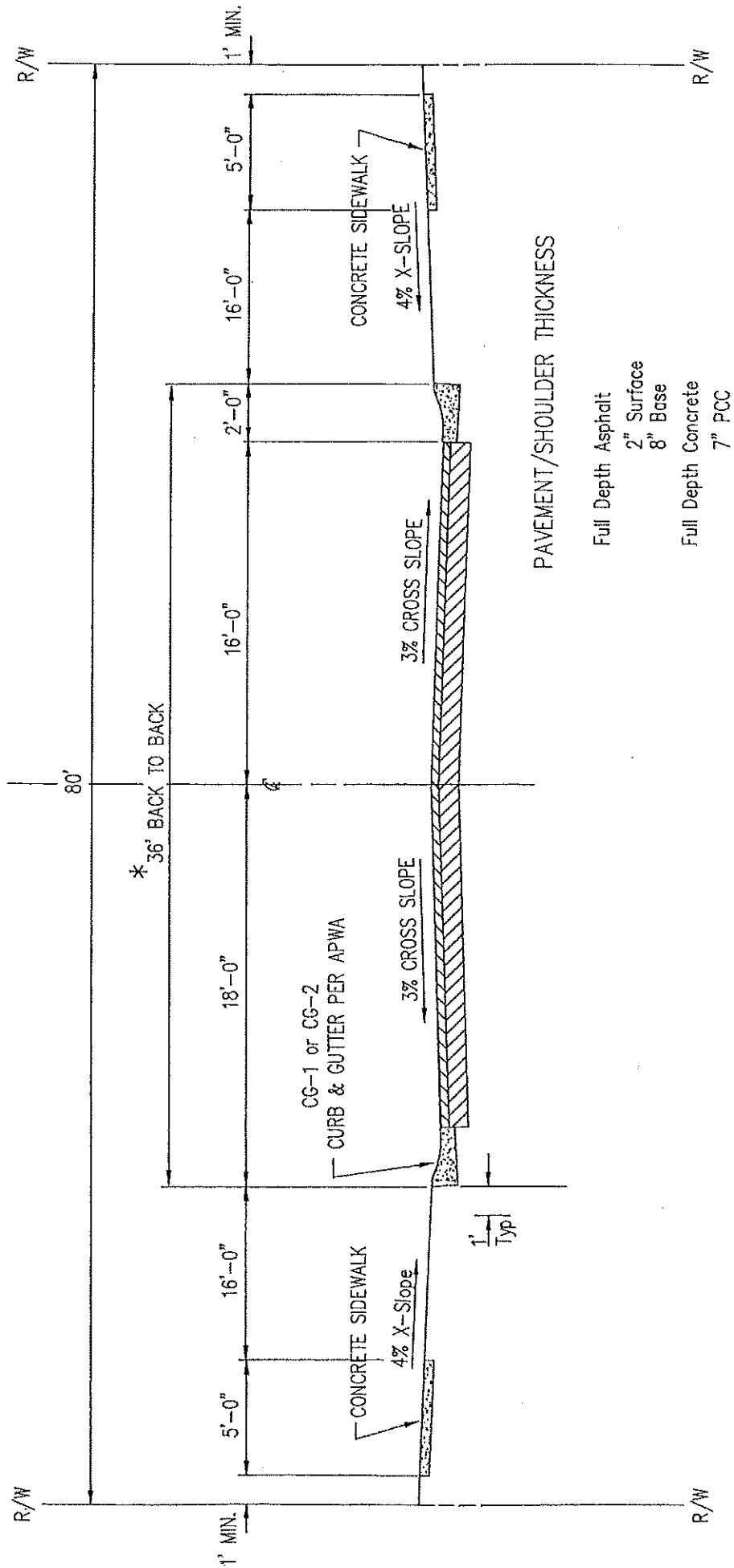
Exhibit 240.20 TYPICAL SECTION URBAN MINOR ARTERIAL



PAVEMENT/SHOULDER THICKNESS

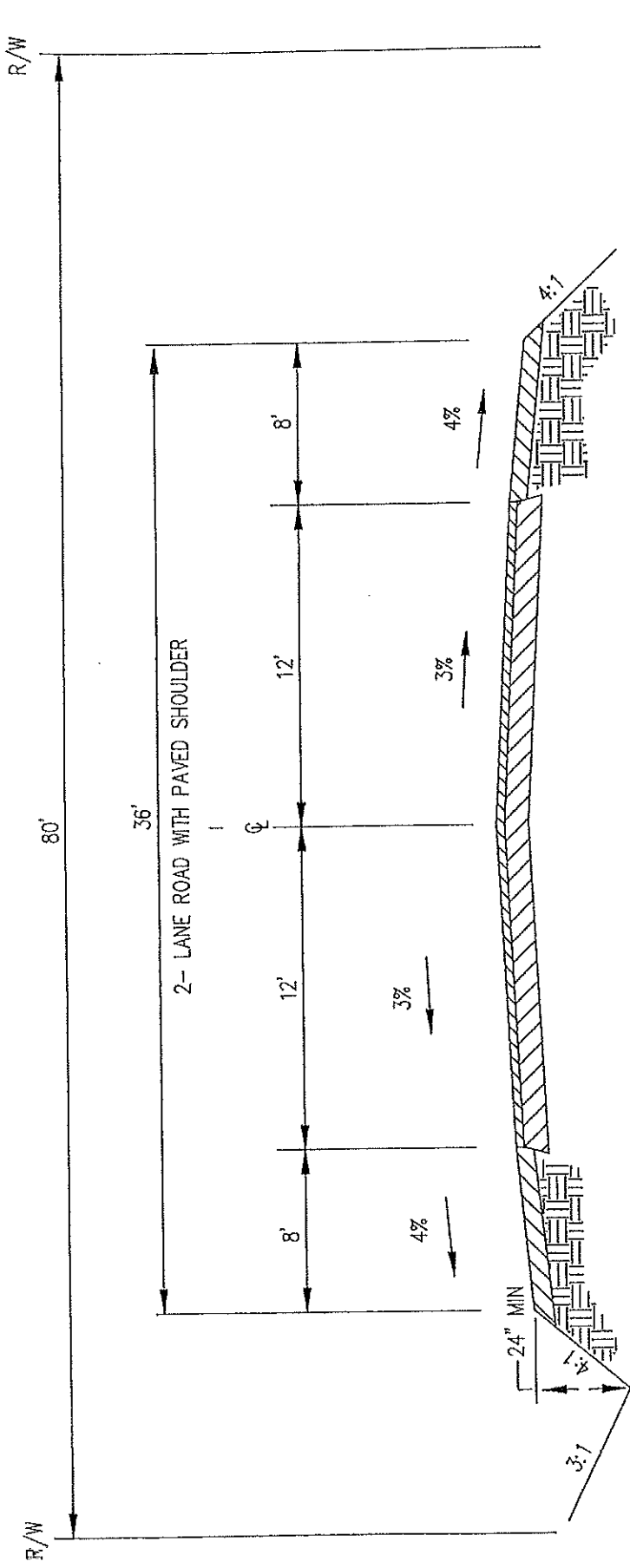
- Full Depth Asphalt
- 2" Surface
- 10" Base
- Full Depth Concrete
- 8" PCC
- Asphalt Shoulders
- 5" Surface

Exhibit 240.21
 TYPICAL SECTION
 RURAL MINOR ARTERIAL



* 52' BACK TO BACK WHEN PROJECTED
20 YEAR ADT IS 4,000 TO 6,000.

Exhibit 240.22 TYPICAL SECTION URBAN COLLECTOR



PAVEMENT/SHOULDER THICKNESS

Full Depth Asphalt
2" Surface
8" Base
Full Depth Concrete
7" PCC
Asphalt Shoulders
8" Surface

Exhibit 240.23
TYPICAL SECTION
RURAL COLLECTOR

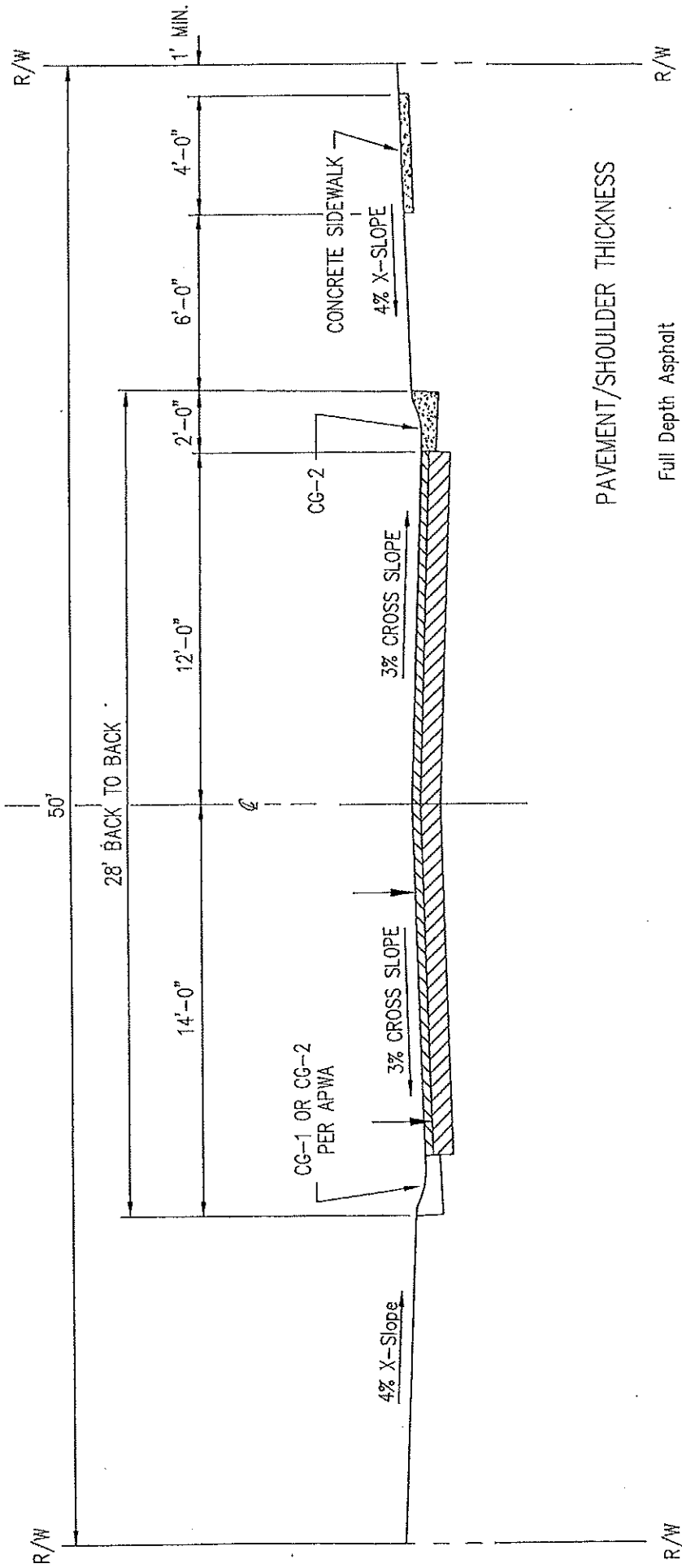
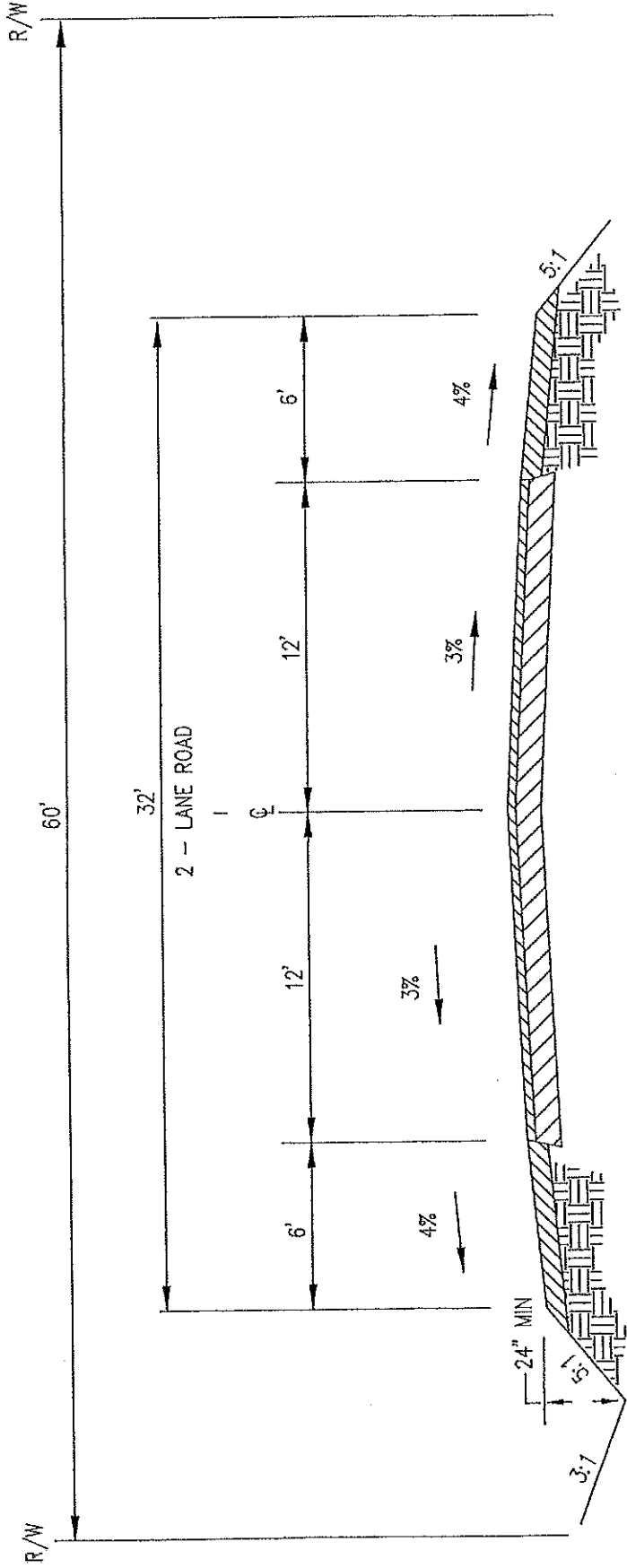


Exhibit 240.24
 TYPICAL SECTION
 URBAN LOCAL



PAVEMENT/SHOULDER THICKNESS

- Full Depth Asphalt
 - 2" Surface
 - 5" Base
- Full Depth Concrete
 - 5" PCC
- Asphalt Shoulders
 - 4" Surface

Exhibit 240.25 TYPICAL SECTION RURAL LOCAL